

# S400 range

Revision: 10R17.10.02  
Sheet: A-400-00

## FEATURES

### Input voltage

115/230Vac  $\pm 15\%$ , jumper on pcb  
90 $\div$ 264Vac with PFC

### Input frequency

50/60Hz

### Efficiency

75% typ.

### Input protections

- Start-up peak current limitation : 30A at Vin=220Vac

- Fuses on both input lines and EMI filter

### Leakage current to GND

Max 2mA at 50Hz

### See table for

- Output voltages and current

- Line and load regulation

- Output ripple and noise

### Output protections

- Overload

- Short circuit

- Overvoltage : at Vo + 25% typ.

- Over temperature: shutdown above 95°C

### Hold up time

15msec min.

### Start up time

60msec typ.

### Output power

384 $\div$ 480W (see table)

### Remote sense compensation

- 0,5V max

### Inhibit input

- TTL/CMOS comp. low active

### Operating temperature

0°C to 50°C

### Temperature power derating

2%/°C (50 $\div$ 70°C)

### Storage temperature

-20°C to 85°C

### Long term stability

Better than 1% after 24 hours

### Cooling

Forced ventilation

### Operating indicators

- Green led : input voltage

- Yellow led : over temperature protection

- Red led : power failure

### Dielectric withstand voltage

- Input - Output : 3750Vac (on insulating components)

- Input - P.E.: 1750Vac

### Isolation

- Output - P.E.: 500Vdc

### Comply with

- EN 50081-1

- EN 61000-6-2

- EN 60950

- CE

### Weight

A=4450gr. B=3600gr.

### Optional features

- DC - DC input for AC-DC units

- PF - Power fail/reset signal

- DD - Output decoupl. diode for parallel connection

- AL - Alarm relay contact

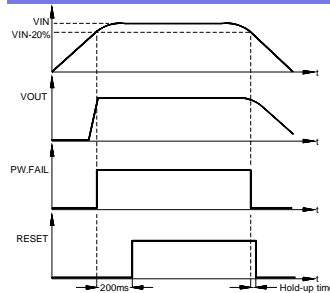
## FEATURES TABLE

MODEL	Enclosure	Output Power W	Vout Volts	Output voltage adj. Volts	Iout Ampere	Line regulation VIN(min÷max) %	Load regulation (10÷100%) %	Ripple & Noise (0÷30MHz) % Vout
S402	A	400	5	4.5 $\div$ 5.5	80	$\pm 0.1$	$\pm 0.5$	1
S403	A-B	384	12	10.5 $\div$ 14	32	$\pm 0.1$	$\pm 0.5$	1
S404	A-B	390	15	14 $\div$ 17	26	$\pm 0.1$	$\pm 0.5$	1
S406	B	384	24	20 $\div$ 28	16	$\pm 0.1$	$\pm 0.5$	1
S407	B	432	36	31 $\div$ 42	12	$\pm 0.1$	$\pm 0.5$	1
S408	B	480	48	41 $\div$ 52	10	$\pm 0.1$	$\pm 0.5$	1
S409	B	480	96	85 $\div$ 110	5	$\pm 0.1$	$\pm 0.5$	1

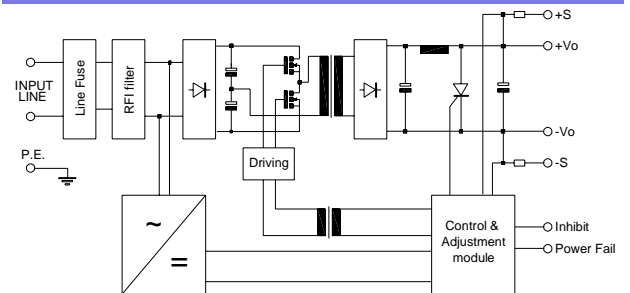
## S400 VIEW



## PF/RESET SIGNALS

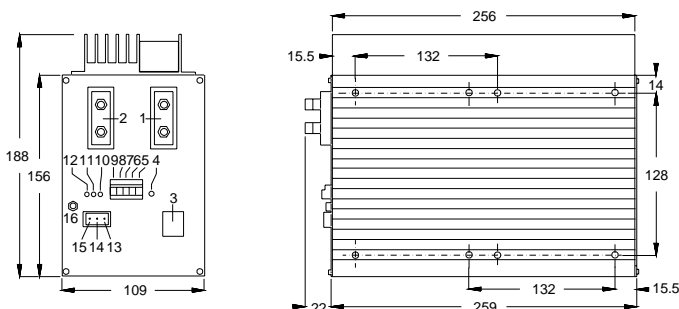


## BLOCK DIAGRAM

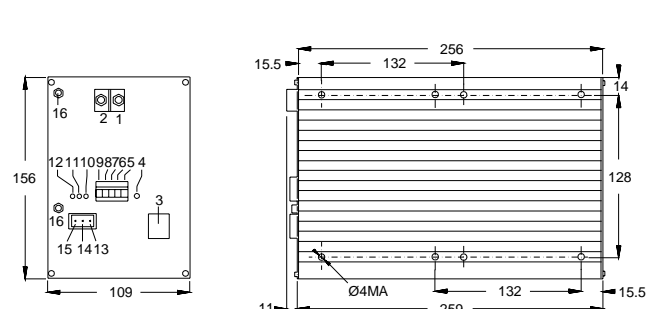


## DIMENSIONS AND CONNECTIONS

### enclosure type -A-



### enclosure type -B-



- 1)Vout+ 2)Vout- 3)Label sr.num. 4)Vadj. 5)Sense+ 6)Sense- 7)Power Fail (opt. relay N.O.) 8)Inhibit 9)Reset (opt. relay COM)  
10)Led Power Fail. 11)Led over-temperature 12)Led line-ON 13)AC input N 14)n.c. 15)AC input L 16)P.E./Chassis

AZIENDA CERTIFICATA



Note: all features are subject to change without notice.

UNI EN ISO 9001:2000 Costruzioni Elettroniche Amba s.a.s. - 10132 TORINO - C.so Casale, 413 - Tel. 011 8987106 / 011 8980486 - fax 011 8980486 - e\_mail cea@cea.sm - URL http://cea.sm